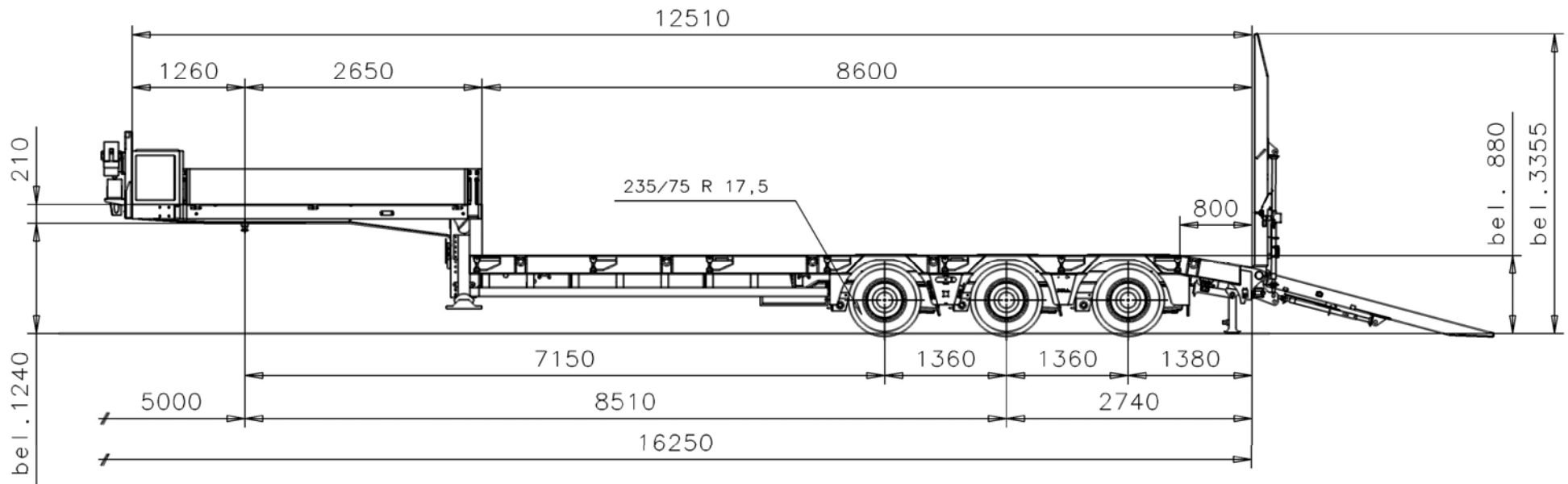


DOLL VARIO S3L-0 - Bauvariante -



3AU001114/7163160/1101





### **Gewichte / Load specifications / Masses**

<b>Geschwindigkeit / Speed / Vitesse</b>	80 km/h
<b>Achslast / Axle load capacity / Charge essieux</b>	30.000 kg
<b>Sattellast / Fifth wheel load / Charge de sellette</b>	15.000 kg
<b>Gesamt-Gewicht / Gross vehicle weight / PTC techn.</b>	45.000 kg
<b>Eigengewicht ca. / Dead weight, approx. / Masse-à-vide env.</b>	8.150 kg
<b>Nutzlast ca. / Payload approx. / Charge utile env.</b>	36.850 kg